



Shown: 30 Gallon\*

## PRO 35

 AIR COMPRESSOR

# Rugged, Powerful, and Dependable Day After Day!

Vanair's line of reciprocating compressor packages were developed to meet the demands of customers that need the convenience of mobile air at an economical cost. Designed to provide rugged, powerful, and dependable performance. These compressors are a perfect fit for the mechanic, service, agriculture, and contractor markets. The Vanair PRO Series offers Honda® or Kohler® engines with air power at 35 CFM with up to 175 PSI. Systems are all electric start and are available in a skid or 30-gallon tank configuration.

### SPECIFICATIONS

SPECIFICATIONS	
CFM Rating	35 CFM
Air Pressure	175 PSI
Receiver Capacity	Skid or 30 Gal.
Engine Type	11.7 HP Honda® GX390 Electric Start* 14 HP Kohler® CH440 Electric Start*
Fuel Capacity	1.6-1.9 Gal.

PRO 35 Unit Dimensions with fittings (In.): 45L x 19W x 43H 30 Gal. | 45L x 19W x 23H Skid  
 Dry Weight (Lbs.): 345 - 460 Depending on platform  
 \* Battery not included

# PRO 35

## AIR COMPRESSOR

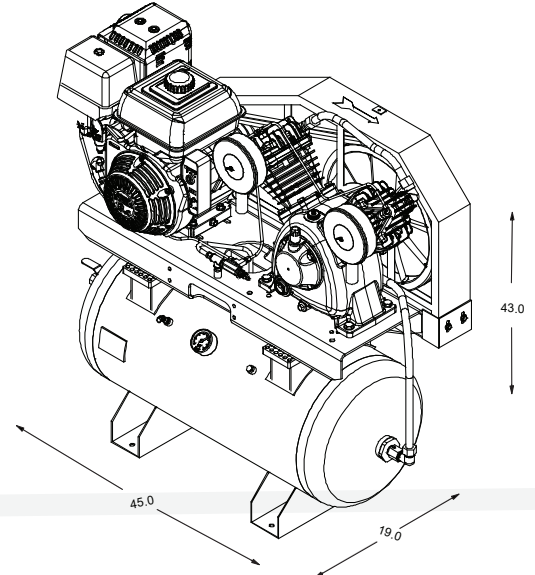
- Reciprocating
- 2 Cylinder

## ENGINE

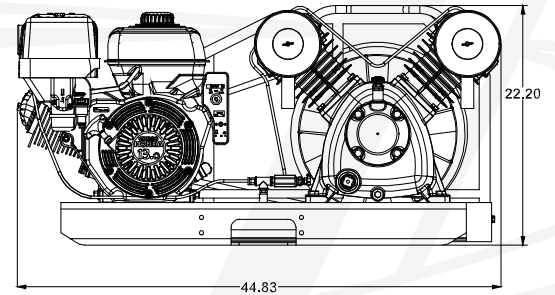
- Honda® 11 HP or Kohler® 14 HP  
Electric Start with Recoil Back-up
- 1.6-1.9, Gal. Fuel Tank
- Gasoline Fuel

## INSTRUMENTATION

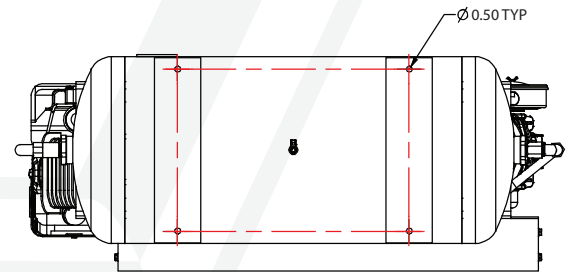
- Air Pressure Gauge



30 GALLON TANK VERSION



SKID MOUNT VERSION



MOUNTING HOLES

Vanair reserves the right to make changes in engineering, design, and specifications; add improvements; or discontinue manufacturing at any time without notice or obligation. Vanair, the Vanair logo and MOBILE POWER SOLUTIONS are registered trademarks or trademarks of Vanair Manufacturing, Inc., Michigan City, IN, USA. © 2021 All Rights Reserved.



**VANAIR**  
MOBILE POWER SOLUTIONS

800.526.8817 | [vanair.com](http://vanair.com)

10896 West 300 North | Michigan City, Indiana 46360 USA



PRO35\_08062021\_NML