



*Shown: Air N Arc® 150
14 HP, 30 Gallon



AIR N ARC® 150



AIR COMPRESSOR



GENERATOR



WELDER



BATTERY BOOST
(OPTIONAL)



BATTERY CHARGE
(OPTIONAL)

The All-in-One Power System® for Light to Medium Industrial Repair. No Matter Where the Job Takes You, Always Be Prepared!

The Air N Arc® 150 provides you with up to five forms of power in one compact and economic unit, allowing you to save space and weight on your vehicle. Providing up to 190 AMPs of welding power, the Air N Arc® 150 is available in multiple configurations to meet your mounting needs.



SPECIFICATIONS	
Engine	14 HP Kohler® or 19 HP Kohler®
Air Compressor	Reciprocating, 150 PSI, 20 CFM
Generator	5 kW Peak / 4.2 kW Continuous, AC Power, 60 Hz, Single Phase, 120V and 240V Outlets
Welder	14 HP Stand-alone: CC: 40-190 AMPs Operating Range 19 HP with Remote Panel: CC: 40-190 AMPs, CV: 15-30V
Battery Charger/Booster	150 AMPs 12V/24V Boost, 50 AMP 12V Charge (Optional for 19 HP Engine Only)
Drive System	Belt Driven
Fuel Capacity	1.9 Gal. (Kohler® 14) or 4.5 Gal., 11.5 Gal. or Tied to Chassis (Kohler® 19)

Air N Arc® 150 Unit Dimensions with Fittings (In.):
47.8L x 21.1W x 28.6H - 8 Gal. Kohler® 19 HP
48.2L x 22.2W x 40.8H - 30 Gal. Kohler® 19 HP
48.1L x 22.4W x 24.2H - Skid Mount Kohler® 19 HP
Dry Weight (Lbs): 245-565 (depending on platform)

51.5L x 21.0W x 31.2H - 10 Gal. Kohler® 14 HP
50.7L x 19.2W x 40.8H - 30 Gal. Kohler® 14 HP
50.3L x 18.2W x 24.2H - Skid Mount Kohler® 14 HP



AIR NARC® 150

FEATURES

- Fuel System can be Integrated with the Chassis
- Powder Coated Sheet Metal for Protection
- 100% Duty High Frequency Welder Offering Excellent Weld Characteristics
- Galvannealed Steel Metal
- Heavy Duty Belt Driven System for Anti-Vibration and Long Service Intervals

AIR COMPRESSOR

- Reciprocating Compressor
- Cast Iron Air Pump with Three Cylinder Head Design for Better Cooling

WELDER

- Patented Amperage and Power Controls Built Into Welding Lead for Ease of Use for 14 HP Unit
- 100% Variable Completely Controllable. No Preset Settings.
- Independent Welding Generator
- CV on Remote Panel Machines
- Safe Multi-Function
- Auto Throttle Control

GENERATOR

- True Two-Generator System for Safe Multi-Functioning of Welder and Electric Tools
- Independent AC Power for Safe Multi-Functioning
- Brushless Design
- Smooth Wave for Minimal Distortion
- Two 120V Outlets and One 240V Outlet Provided

ENGINE

- 14 HP Kohler® or 19 HP Kohler®
- Electric Start

AVAILABLE FUEL CAPACITY

- 1.9 Gallons (14 HP)
- 4.5 Gallons on Models with 8 Gallon Air Storage (19 HP)
- 11.5 Gallons on Models with 30 Gallon Air Storage (19 HP)
- Tied to Chassis

BATTERY BOOST/CHARGE (OPTIONAL)

- 150 AMP 12V/24V Boost (Standard on Remote Panel)
- 50 AMP 12V Charge (Standard on Remote Panel)

REMOTE CONTROL PANEL (OPTIONAL ON KOHLER 19 HP SYSTEMS) (HARNES NOT INCLUDED)

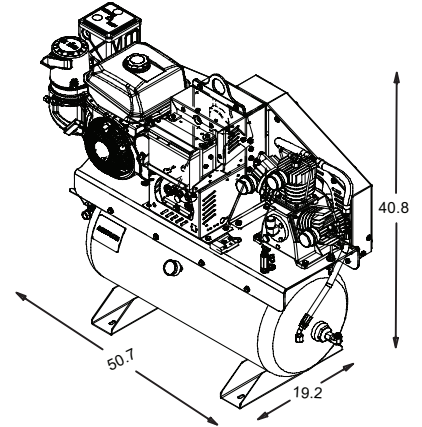
- Provides Ultimate User Convenience and Safety
- All Functions Accessible at Panel - No Need to Jump In and Out of Vehicle
- Filter/Lubricator/Regulator (FLR)
- Hose Reels and Fittings
- OSHA Safety Valve (Velocity Fuse)
- Post Drivers
- Service/Control Line Moisture Separators
- Tool Oiler/Lubricator

AVAILABLE AIR RESERVOIRS

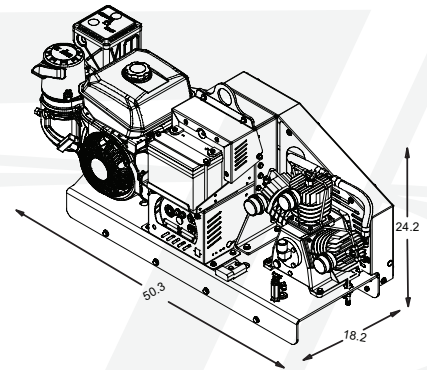
- 8 Gallon (19 HP), 10 Gallon (14 HP), 30 Gallon and Skid Mount

OPTIONS/ACCESSORIES

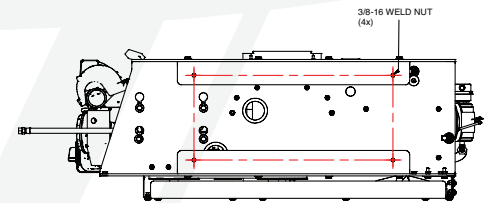
- Remote Panel Harness - 10', 14', 18'
- Remote Mount Control Panel (Kohler® 19 HP Only)
- Battery Cable Extension - 8', 12', 16', 20', 24'
- Battery Booster Cables
- Electric Fuel Pump (Kohler® 19 HP Only)
- Fuel Tank – Slim Line 11 Gallon (Kohler® HP 19 Only)
- Remote Air Tank Options
- Remote Condensation Drain
- Welding Helmet with Auto Darkening Lens
- Dry Cell Battery
- Cold Weather Kits
- Maintenance Kits
- Hose Reels
- GFCI Outlet for Protection of 120V/240V - Remote Panel Machines Only



14 HP WITH 30 GALLON TANK



14 HP SKID MOUNT VERSION



14 HP SKID MOUNT MOUNTING HOLES

Vanair reserves the right to make changes in engineering, design, and specifications; add improvements; or discontinue manufacturing at any time without notice or obligation. Vanair, the Vanair logo and MOBILE POWER SOLUTIONS are registered trademarks or trademarks of Vanair Manufacturing, Inc., Michigan City, IN, USA. © 2021 All Rights Reserved.



800.526.8817 | vanair.com

10896 West 300 North | Michigan City, Indiana 46360 USA



ANA150_08032021_NML