

# Eco-Tech<sup>®</sup> 28V 165A Alternators

## P and J Mount Models

Rev2.1, 6/10/2008

### Features and Benefits

- Exceptionally high output at idle
- Typical applications: fire, utility and tow trucks; ambulances; school and shuttle buses; and commercial fishing boats
- Industry leading 18 month warranty
- Voltage set-point can be customized for marine applications
- High efficiency of 80% @1800 rpm
- Eliminate 50% fuel penalty caused by high idle
- Patented technology
- Permanent magnet and wound rotor design
- Self-exciting
- Soft-start
- Large brushes for extended life
- Heavy duty bearings
- Load dump protection
- Three high efficiency internal fans



**P-28V155-I**  
(SAE Pad Mount)



**J-28V/155-I,**  
**IJ-28V/155-I**  
(Isolated Ground)  
**IJ-28V/155-IP**  
(Isolated Ground  
& Ignition Proof)  
**IJ-28V/155-IP-C**  
(Isolated Ground  
& Ignition Proof)

### Specifications

Operating ambient temperature	-40 to +93°C
Rated Current	165 Amperes at 6000 rpm
Idle Current	127 Amperes at 1800 rpm
Voltage Set point	28.2 V ± 0.4 V
Efficiency @1800 rpm	80%
Rotation direction	CW
Max. Continuous Speed	8,000 rpm
Max. Intermittent Speed	10,000 rpm
Excitation type	Self
Ground	Negative
Weight	38 Lbs.

*"Technology Tuned to Nature"™*  
Ecoair Corp.

Distributed by



**ENTERPRISES LTD.**

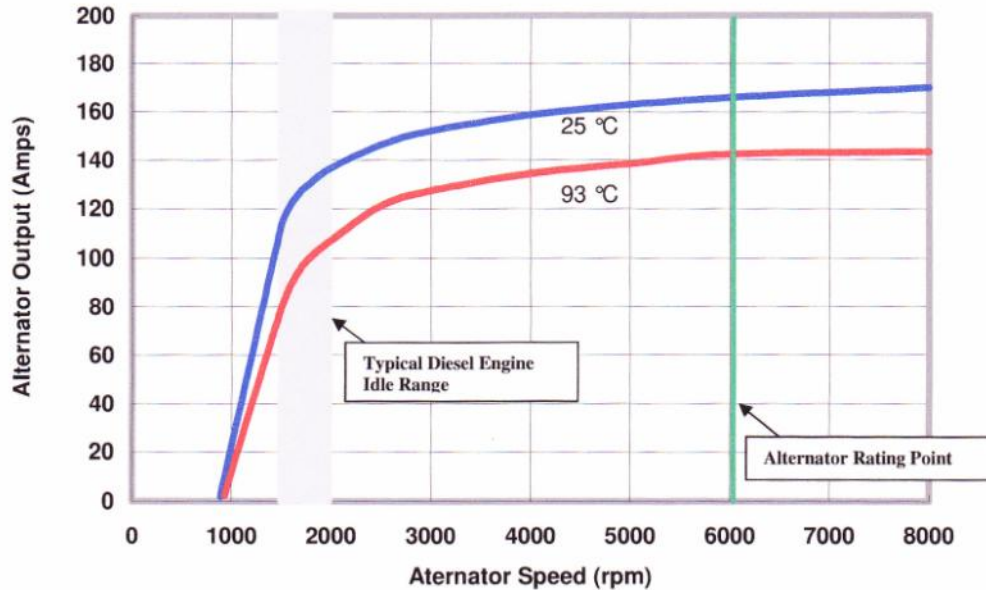
# Eco-Tech<sup>®</sup> 28V 165A Alternators

## P and J Mount Models

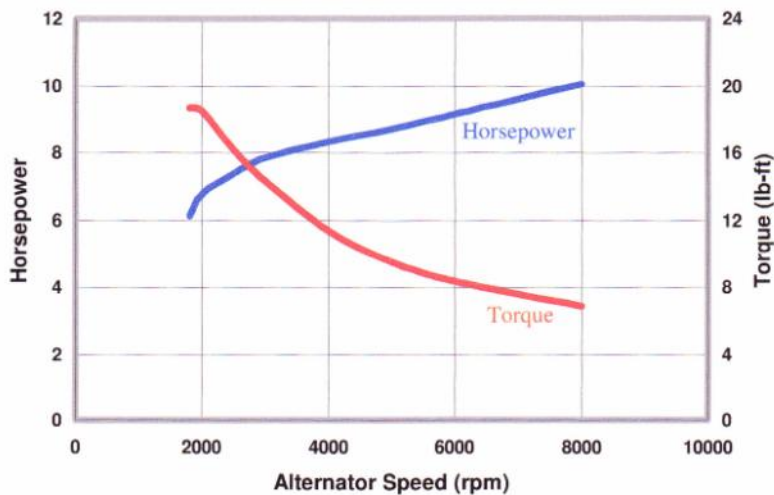
Rev2.1, 6/10/2008

### Output Performance

Stabilized and Tested @28 V Per SAE J56



### Input Horsepower & Torque at Full Output



*"Technology Tuned to Nature"*<sup>™</sup>  
Ecoair Corp.

Distributed by  **ENTERPRISES LTD.**

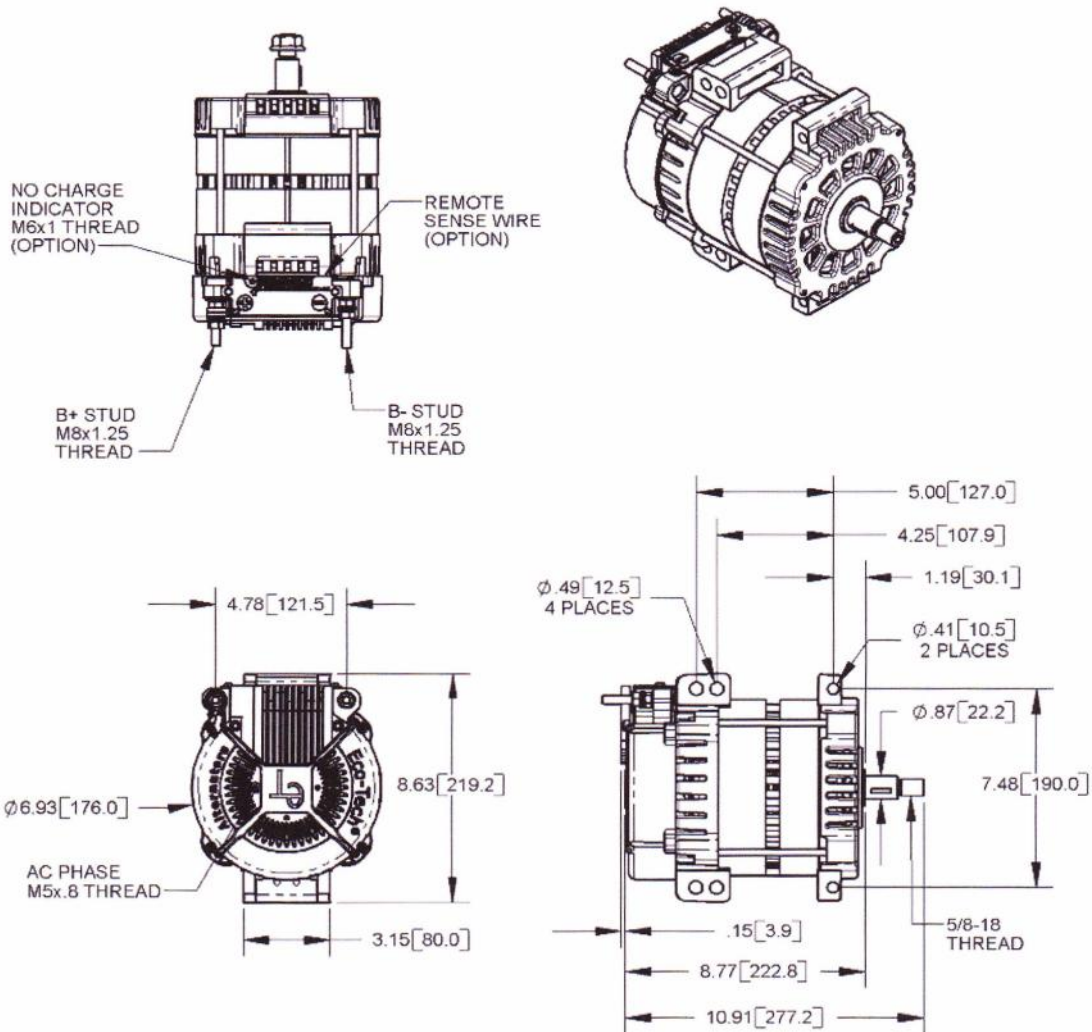
# Eco-Tech® 28V 165A Alternators

## P and J Mount Models

Rev2.1, 6/10/2008

### Overall Dimensions

#### P-28V/155-I (SAE Pad Mount)



*"Technology Tuned to Nature"™*  
Ecoair Corp.

Distributed by



**ENTERPRISES LTD.**

# Eco-Tech® 28V 165A Alternators

## P and J Mount Models

Rev2.1, 6/10/2008

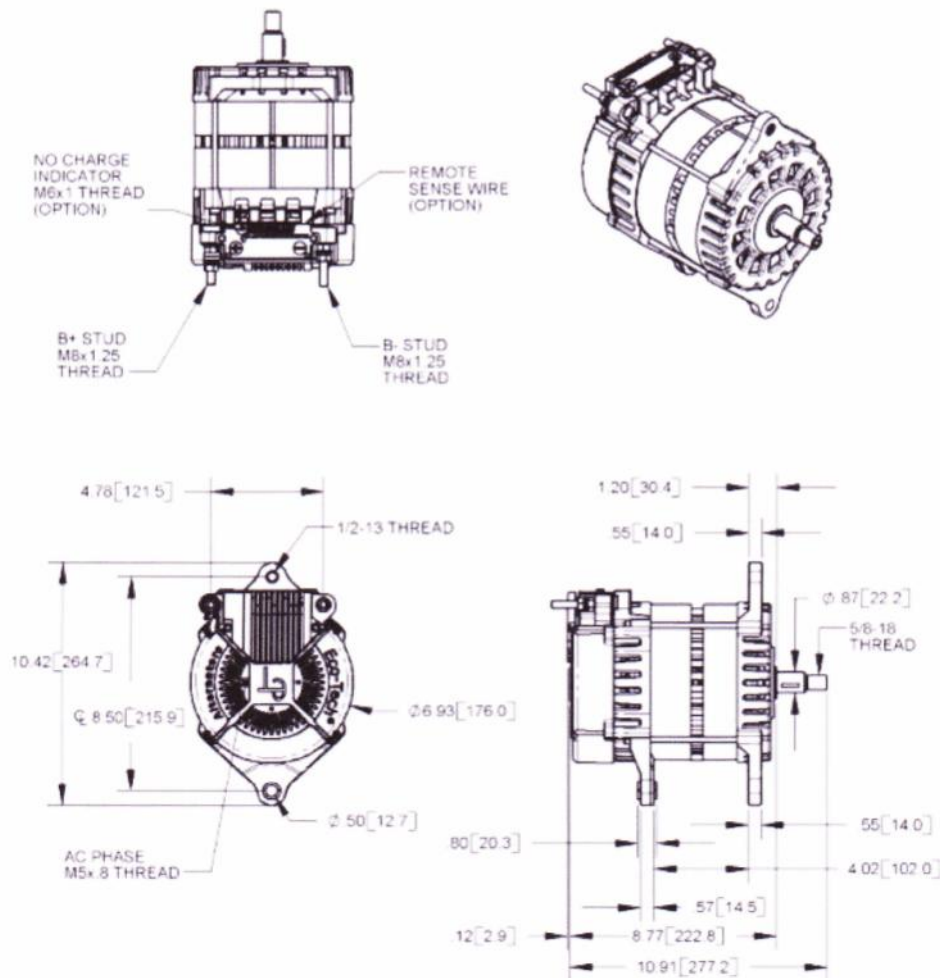
### Overall Dimensions

**J-28V/155-I,**

**IJ-28V/155-I** (Isolated Ground)

**IJ-28V/155-IP** (Isolated Ground and Ignition Proof, Military only)

**IJ-28V/155-IP-C** (Isolated Ground and Ignition Proof)  
(SAE J-180 Mount)



*"Technology Tuned to Nature"™*  
Ecoair Corp.

Distributed by



**ENTERPRISES LTD.**