

# Eco-Tech® 14V 325A Alternators

## P, J and T Mount Models

Rev1.9, 6/10/2008

### Features and Benefits

- Exceptionally high output at idle
- Typical applications: fire, utility and tow trucks; ambulances; school and shuttle buses; and commercial fishing boats
- Industry leading 18 month warranty
- Voltage set-point can be customized for marine applications
- High efficiency of 80% @ 1800 rpm
- Eliminate 50% fuel penalty caused by high idle
- Patented technology
- Permanent magnet and wound rotor design
- Self-exciting
- Soft-start
- Large brushes for extended life
- Heavy duty bearings
- Load dump protection
- Three high efficiency internal fans



**P-305-I**  
(SAE Pad Mount)



**T-305-I**  
(Ford T-Mount)



**J-305-I, J9-305-I**  
(SAE J-180 Mount)

### Specifications

Operating ambient temperature	-40 to +93°C
Rated Current	325 Amperes at 6000 rpm
Idle Current	255 Amperes at 1800 rpm
Voltage Set point	14.4 V ± 0.2V
Efficiency @ 1800 rpm	80%
Rotation direction	CW
Max. Continuous Speed	8,000 rpm
Max. Intermittent Speed	10,000 rpm
Excitation type	Self
Ground	Negative
Weight	38 Lbs.

*"Technology Tuned to Nature"™*  
Ecoair Corp.

Distributed By:



**ENTERPRISES LTD.**

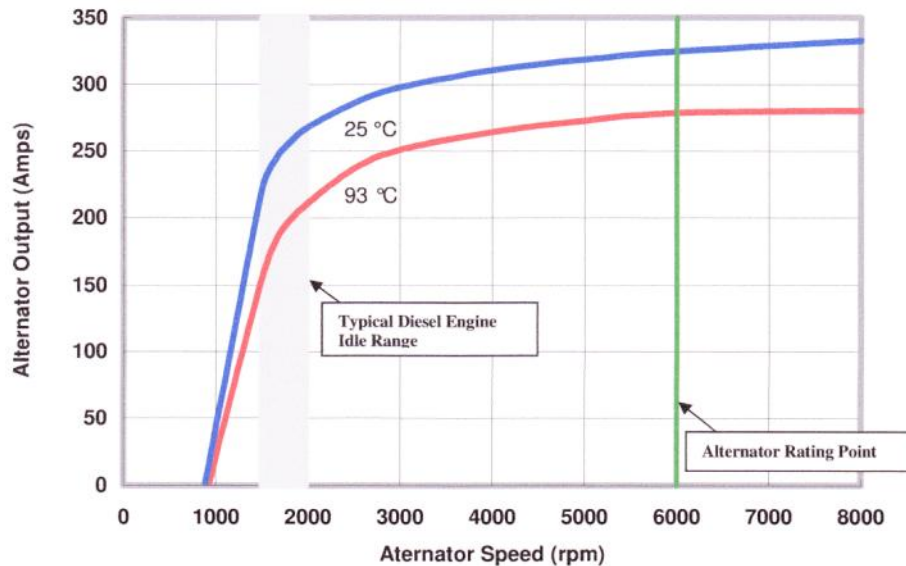
# Eco-Tech<sup>®</sup> 14V 325A Alternators

## P, J and T Mount Models

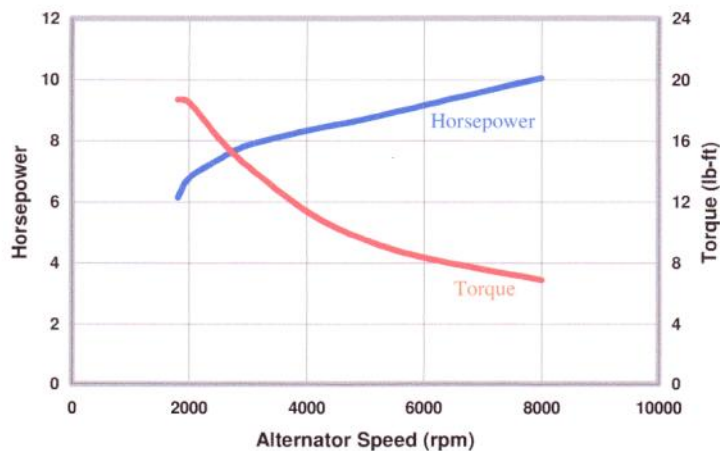
Rev1.9, 6/10/2008

### Output Performance

Stabilized and Tested @ 14.4 V Per SAE J56



### Input Horsepower & Torque at Full Output



*"Technology Tuned to Nature"*<sup>™</sup>  
Ecoair Corp.

Distributed By:



# ENTERPRISES LTD.



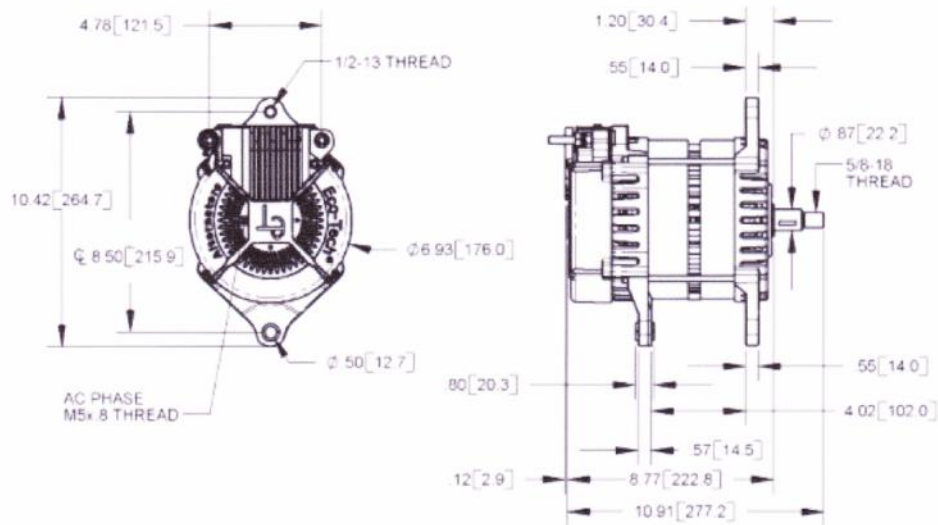
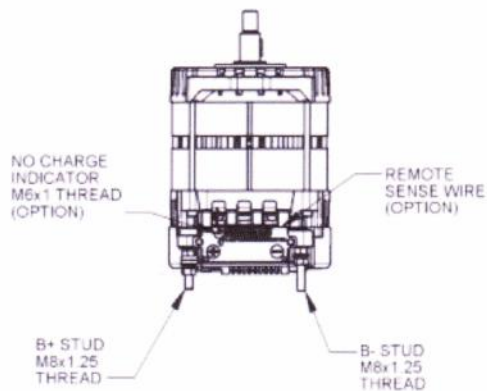
# Eco-Tech® 14V 325A Alternators

P, J and T Mount Models

Rev1.9, 6/10/2008

## Overall Dimensions

**J-305-I**  
(SAE J-180 Mount)



*"Technology Tuned to Nature"™*  
Ecoair Corp.

Distributed By:



**ENTERPRISES LTD.**

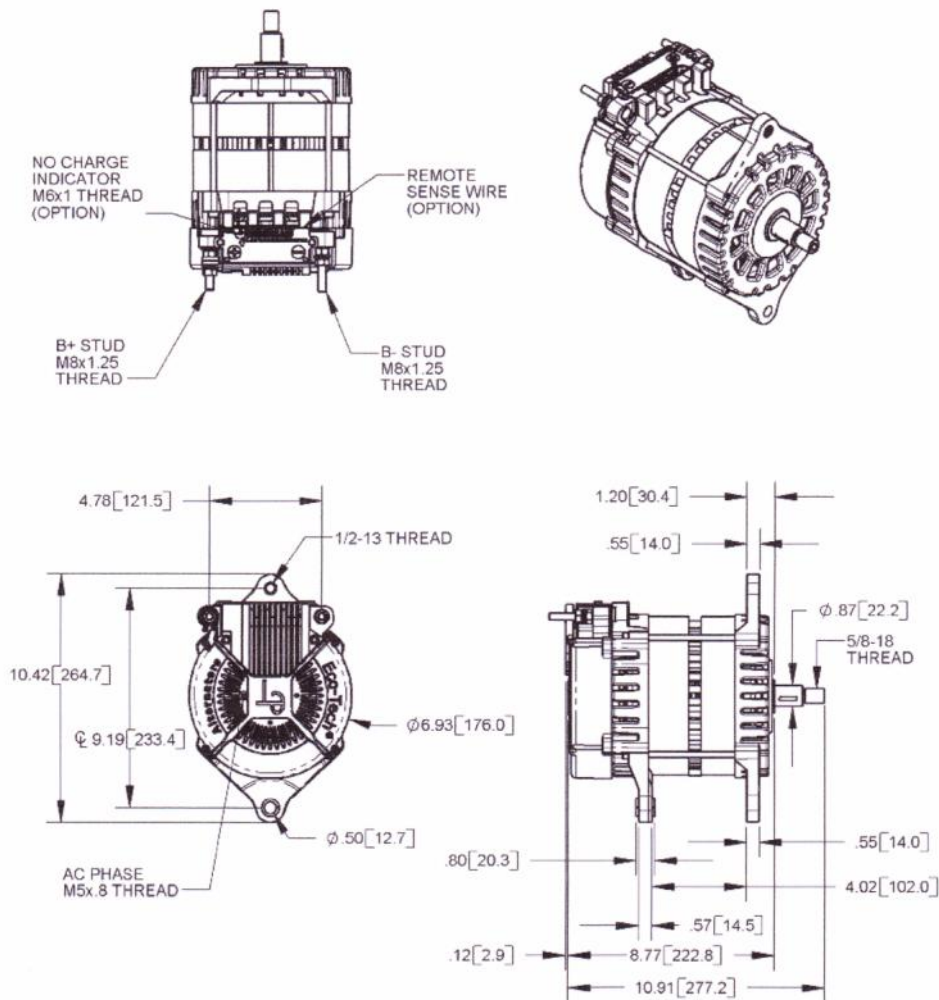
# Eco-Tech® 14V 325A Alternators

## P, J and T Mount Models

Rev1.9, 6/10/2008

### Overall Dimensions

#### J9-305-I (SAE J9 Mount)



*"Technology Tuned to Nature"™*  
Ecoair Corp.

Distributed By:



# ENTERPRISES LTD.